



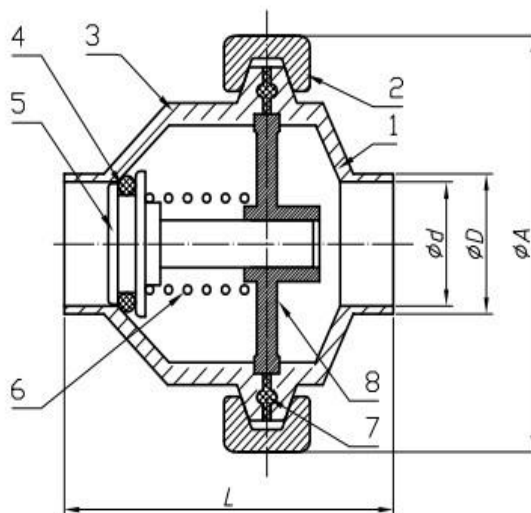
# Cangzhou Changyuan Fittings Co.,Ltd

[Http://www.con-well.com](http://www.con-well.com) email:con-well@vip.163.com

Add:No.26 Shigang Road,Development Zone,Cangzhou ,Hebei,China Pc:061000

## Sanitary Check Valves

## SMS standard



### Sanitary Check Valves, SMS standard (mm)

SIZE	d	D	L±2.0	A±2.0
25.0	22.40	25.40	65.00	75.00
38.0	34.50	38.10	69.00	88.00
51.0	47.50	51.00	84.00	104.00
63.5	59.50	63.50	99.00	118.00
76.0	72.20	76.20	102.00	135.00
101.6	97.60	101.60	123.00	163.00

### MATERIAL LIST

ITEM	DESCRIPTION	MATERIAL
1	Valve body-small	304/316/316L
2	Clamp	304
3	Valve body-big	304/316/316L
4	O ring	Silion(red)
5	Stem	304/316/316L
6	Spring	304/316
7	Seal	Silion(white)
8	Valve accessory	304/316/316L

### FEATURES:

- Working pressure:1.0MPA
- Opening pressure:0.5Mpa
- Working temperature:-10℃ to 150℃